

BAUER BG 26

Rotary Drilling Rig

Base Carrier BT 70

ValueLine



The BG ValueLine

*Perfection is achieved
when there is nothing left to take away.*

Drilling uncased deep boreholes stabilized by drilling fluid, or drilling cased boreholes with installing casings by the rotary drive or by a hydraulic casing oscillator. If Kelly drilling is your task, then the BG ValueLine is our solution. The machines of the ValueLine are specifically adapted to no other purpose than Kelly drilling – and that perfectly.

You can expect superior Bauer performance and customary Bauer durability at affordable costs for acquisition and operation. How we do it? By applying cutting-edge technology, reduced to nothing less than the essentials.

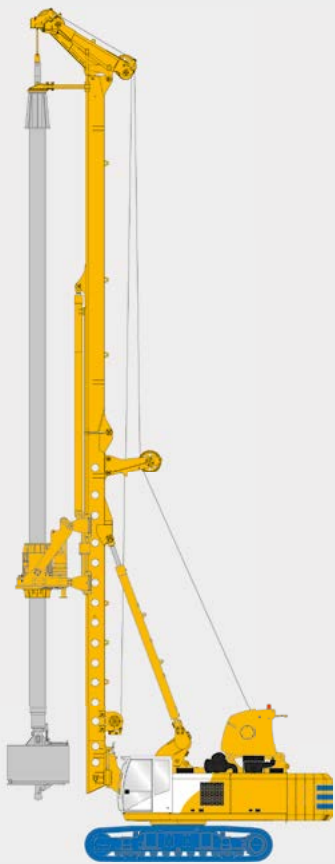


- Long mast for more drilling depth
- Large drill axis for big diameters
- Well balanced concept for high productivity and economic operation
- Hydraulic system for high dynamic performance
- Easy handling, easy maintenance
- Variable transport concept

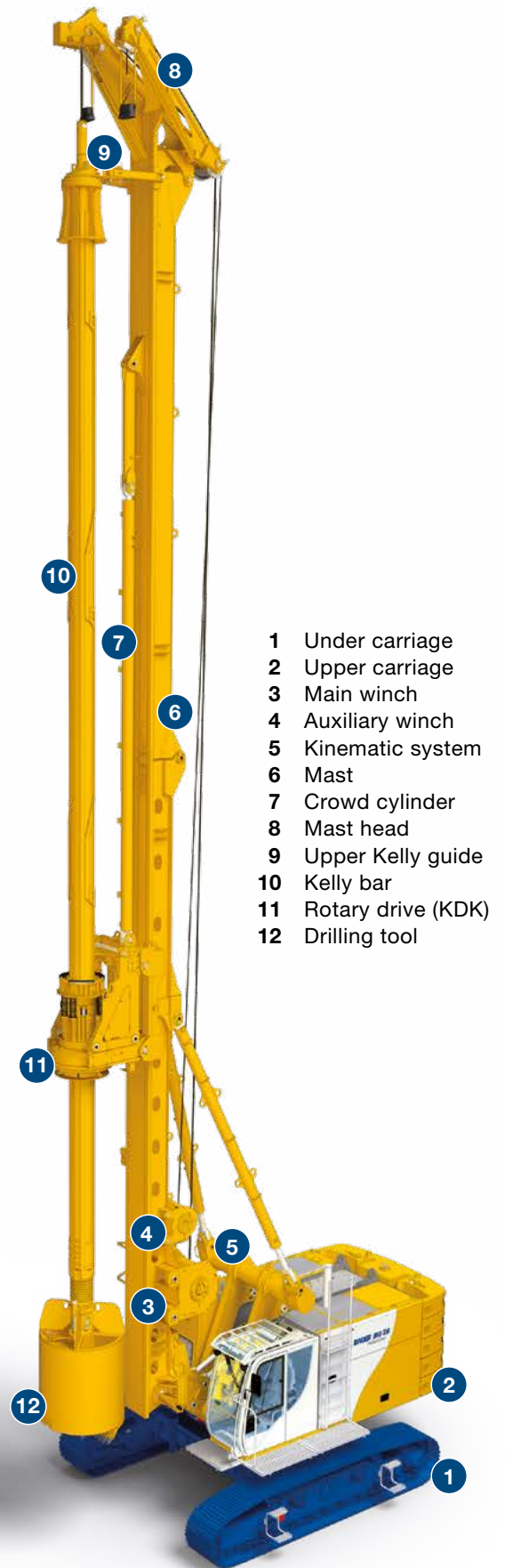
The Rotary drilling rig BG 26 ValueLine (BT 70)

Maximal rig configuration

Drilling diameter:	2,500 mm
Drilling depth:	77.0 m
Torque:	264 kNm
Engine:	CAT C9.3
Height:	280 kW @ 1,800 rpm
	25.1 m



BG 38
BS 80



- 1 Under carriage
- 2 Upper carriage
- 3 Main winch
- 4 Auxiliary winch
- 5 Kinematic system
- 6 Mast
- 7 Crowd cylinder
- 8 Mast head
- 9 Upper Kelly guide
- 10 Kelly bar
- 11 Rotary drive (KDK)
- 12 Drilling tool

Kinematic system

- Proven Bauer kinematic system with support trestle and backstay cylinders for maximum stability
- Heavy-duty base frame optimized for attachment of front-end equipment
- Inverted backstay cylinders for fast rigging and derigging
- Graduated pins simplify rigging operations



KDK rotary drive

- High dynamic performance
- Single-gear drive with strong and robust design and high mechanical and hydraulic efficiency
- Adjustment to various soil conditions and Kelly bars with 3 selectable modes of operation
- Protection of the rotary drive by an integrated Kelly damping system
- User-friendly assembly of rotary drive

Winches

- High, measured effective line pull and line speed
- Load classification M6 / L3 / T5 for heavy-duty, continuous operation
- Single-layer winch operation with Kelly up to BK 260/394/3/30 (standard mast)
- A special grooving system on the drum and a rope pressure roller reduce wear on the wire rope
- Pinned connection for easy mounting and de-mounting of winches on mast
- Transparent ring for easy oil check



Under carriage

- Solid Bauer design for 360° working radius
- Hydraulically extendable tracks
- Large footprint to resist high overturning moments
- High traction forces

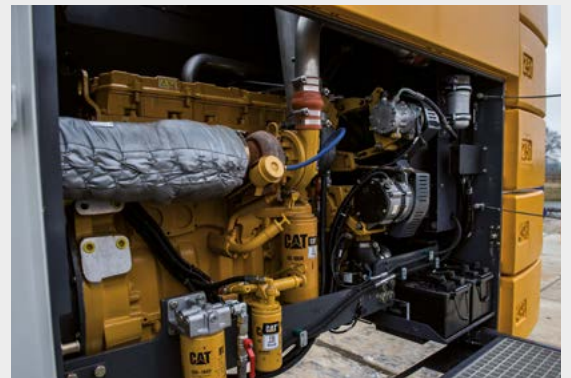


Modern, ergonomic cabin

- FOPS compliant
- Bauer comfort cab meets highest comfort standards
- High-resolution 7" color screen
- Clear layout of instruments and display screens
- Excellent view of drilling position
- Easy operation

High-performance CAT engine

- Conforming to exhaust emission standards Stage III A / Tier 3, China Stage III or Stage V / Tier 4 final
- Low fuel consumption due to optimized design of the hydraulic system
- Low noise emissions due to clever sound protection installation
- Worldwide CAT service partner network
- Entire exhaust gas treatment enclosed in upper carriage



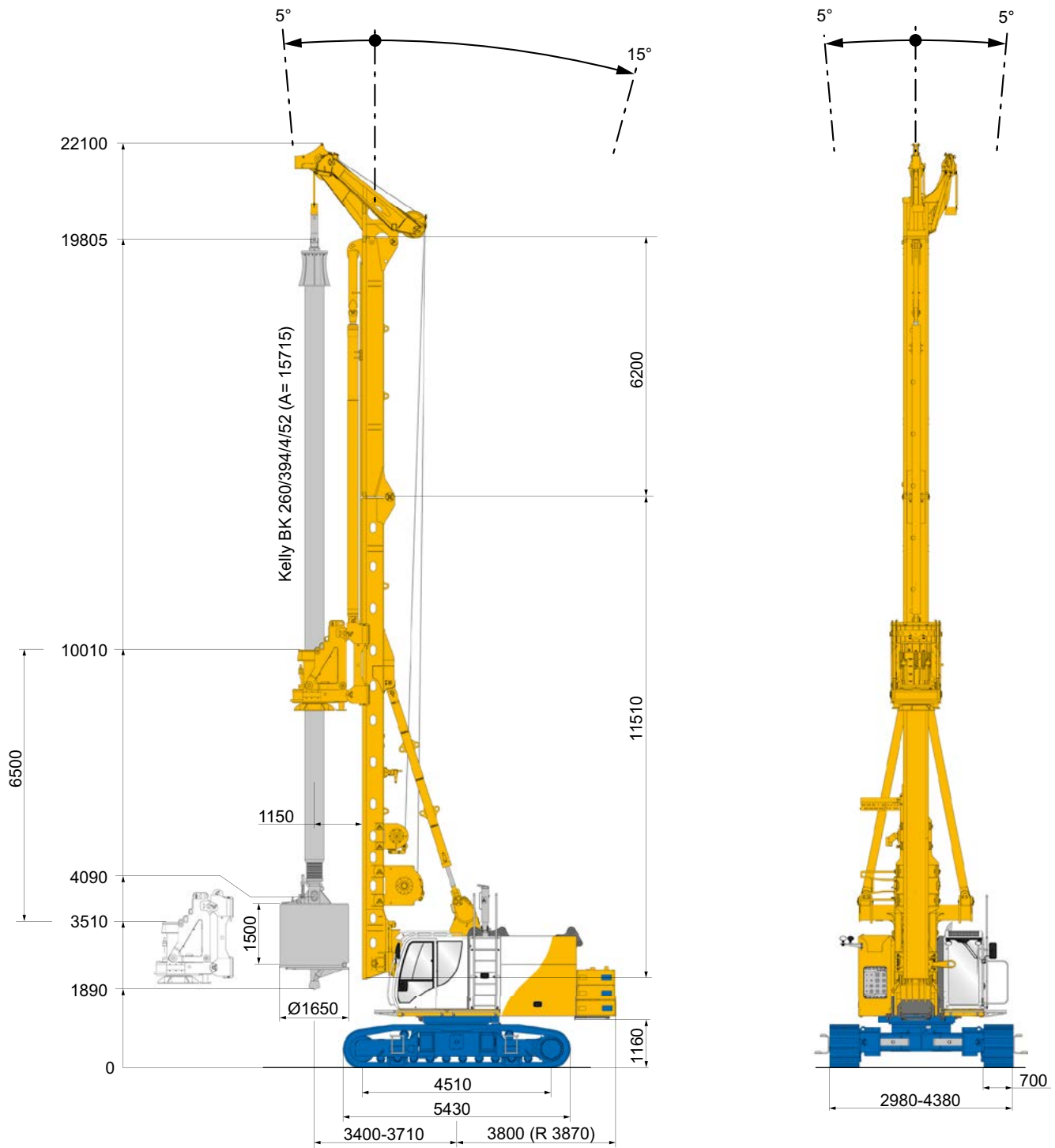
HSE safety features

- Integrated service platform for easy and safe maintenance work
- Maintenance work can be carried out from ground or platform level
- Hydraulic connections on rotary drive can be mounted from ground level
- Variably stackable counterweight elements
- Patented inclination monitoring system
- Continuous control of mast inclination for operator and banksman

Final inspection and test run

- Comprehensive Bauer test program
- Optimal adjustment and calibration of all main functions
- Heat transfer test
- Noise emission measurements
- Electromagnetic compatibility test





Operating weight approx. 81 t
(as shown)

Rotary drive		KDK 260 K	KDK 260 S	
Torque (nominal) at 350 bar		264	264 kNm	
Max. speed		24	54 rpm	
KDK 260 K	standard mode			
	rpm reduced			
	M_D reduced			
Not to scale				
KDK 260 S	1st gear standard mode			
	2nd gear rpm reduced			
	1st gear M_D reduced			
	2nd gear standard mode			
Not to scale				
Crowd cylinder				
Crowd force push / pull (effective)		200 / 270 kN		
Crowd force / line pull (measured at the casing drive adapter KDK)		260 / 210 kN		
Speed (down / up)		4.0 / 5.0 m/min		
Fast speed (down / up)		20 / 20 m/min		
Main winch		M6 / L3 / T5		
Line pull (1st layer) effective / nominal		225 / 295 kN		
Rope diameter		28 mm		
Line speed (max.)		80 m/min		
Auxiliary winch		M6 / L3 / T5		
Line pull (1st layer) effective / nominal		80 / 100 kN		
Rope diameter		20 mm		
Line speed (max.)		55 m/min		
Base carrier		BT 70		
Engine		CAT C 9.3	CAT C 9.3	
Rated output ISO 3046-1		280 kW	280 kW	
		1,800 rpm	1,800 rpm	
Engine conforms to EU 2016/1628		ORA *	Stage V	
EPA/CARB			Tier 4 final	
GB20891-2014		China Stage III		
Diesel tank capacity/AdBlue		730 l / -	730 l / 34.5 l	
Ambient air temperature (at full power) up to		45° C		
Sound pressure level in cabin (EN 16228, Annex B)		LPA 80 dB (A)		
Sound pressure level (2000/14/EG and EN 16228, Annex B)		LWA 109 dB (A)		
Hydraulic power output (measured at inlet to rotary drive)		195 kW		
Hydraulic pressure		350 bar		
Hydraulic oil tank capacity		650 l		
Under carriage		UW 65	UW 80	
Crawler type		B 6	B 7	
Traction force effective / nominal		450 / 530 kN	520 / 440 kN	

* Exhaust emission equivalent Tier 3 / Stage III A emission standards

Base carrier

Standard

- Removable counterweights 7.5 t, **Fig. A**
- Engine diagnostic system
- Gratings on side and in front of operator's cab
- Integrated service platform
- Camera system for rear area surveillance
- Multigrade hydraulic oil
- Bauer comfort operator's cab (FOPS Standard), **Fig. B**
- On-board lighting set
- Air-conditioning system
- Radio with CD, MP3, USB and Bluetooth c/w hands-free kit
- Transport securing lugs on crawler unit
- On-board tool kit

Optional

- Counterweight variably adjustable (max. 14.9 t)
- Air compressor 1,000 l/min
- Central lubrication system
- Bauer service kit
- Arctic kit
- Cab space heater with automatic timer
- Bio-degradable oil for hydraulic system
- Protective roof guard
- Protective front windscreen guard
- Under carriage UW 80
- Triple grouser track shoes 800 mm
- Quick-release couplings for removable crawler side frames
- Service tool kit

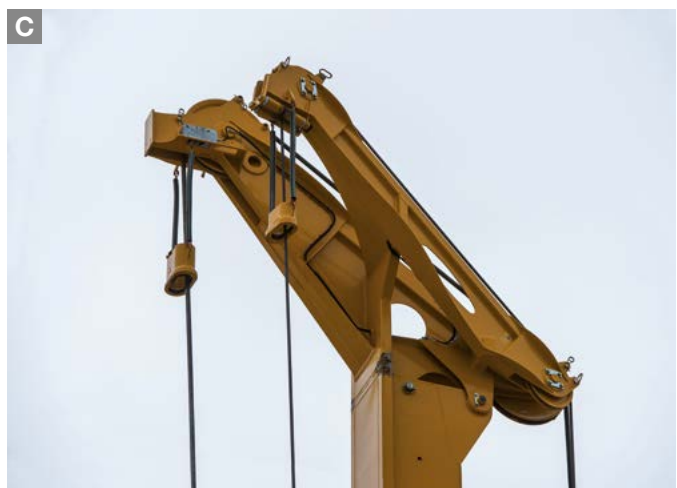
BG attachment

Standard

- Bauer V-type kinematic system
- Mast head, for optional use with drill axis 1,150 or 1,350 mm, **Fig. C**
- Inverted crowd cylinder
- Crowd speed fast and slow mode
- Swivel for main rope
- Pivoted anchor point for main and auxiliary rope
- Transport supports for upper and lower mast section
- Centering device for rapid pin handling
- Graduated pins used on all mast joints
- Hydraulically controlled freewheeling

Optional

- Swivel for auxiliary rope
- Upper Kelly guide
- Drill axis 1,350 mm
- Attachment of casing oscillator up to BV 1500 HD-07 (with UW 80), **Fig. D**
- Thrust rods up to 1,900 mm



Rotary drive (KDK)

Standard

- Integrated Kelly damping system
- Exchangeable Kelly drive adapter assembly KA 500/394
- Exchangeable Kelly drive keys
- Quick-release couplers on hydraulic hoses
- 3 selectable modes of operation
- Easy assembly of rotary drive
- Wear pads exchangeable without removal of rotary drive
- Transport supports
- Trigger plate
- Lifting gear for rotary drive

Optional

- Rotary drive KDK 260 S (multi-gear)
- Cardanic joint
- Brake kit for automatic casing drive adapter, **Fig. E**
- Kelly drive adapter assembly KA 500/419

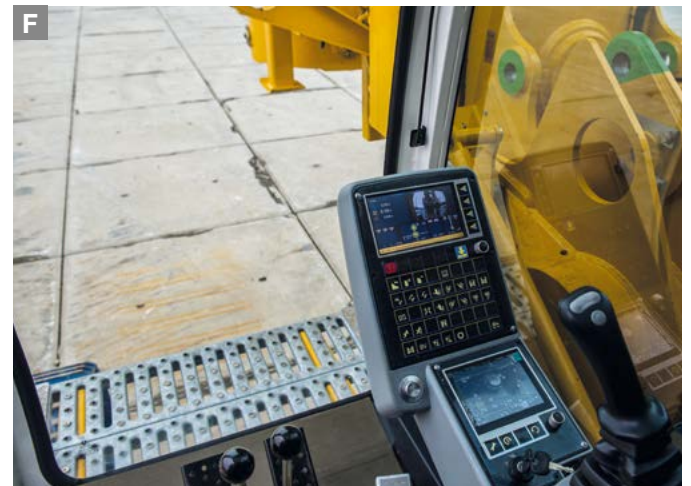
Measuring and control equipment

Standard

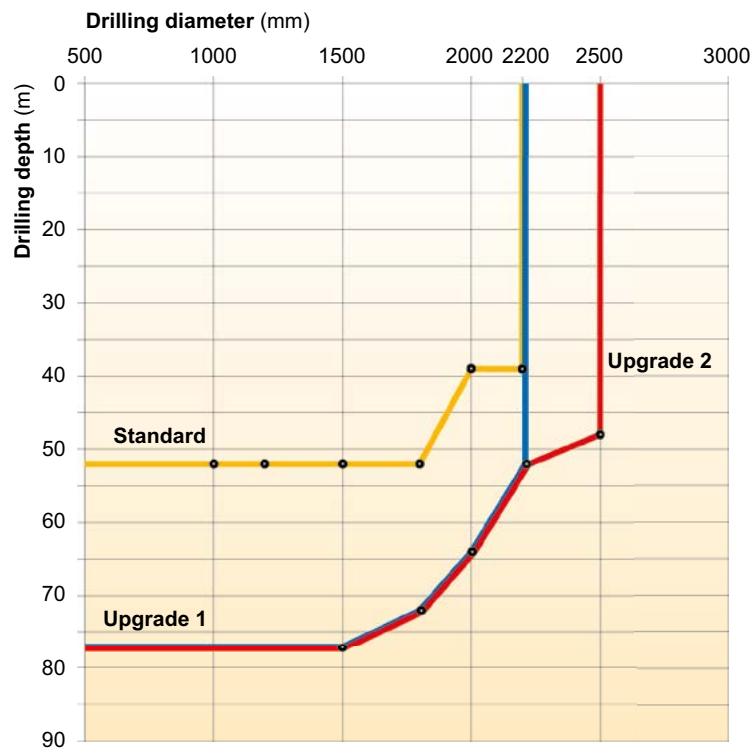
- Bauer extended monitor incl. integrated diagnostic function, **Fig. F**
- Display of faulty messages as plain text
- Digital display of pump pressure
- Mast inclination measurements on x/y axis (digital / analog display)
- Automatic vertical alignment of mast
- Optical mast inclination monitoring system
- Hydraulic load sensing on auxiliary winch
- Speed sensing device on KDK
- Hoist limit switch on main and auxiliary winch
- Defined torque setting for KDK
- Kelly drilling assistant
- Automatic crowd control
- One-directional spoil discharge assistant
- Bi-directional spoil discharge assistant
- Casing extraction assistant
- Automatic swivel alignment
- Electronic load sensing

Optional

- Remote transmission of machine data (DTR module)
- Slewing angle display for upper carriage



Overview drilling capabilities (uncased)



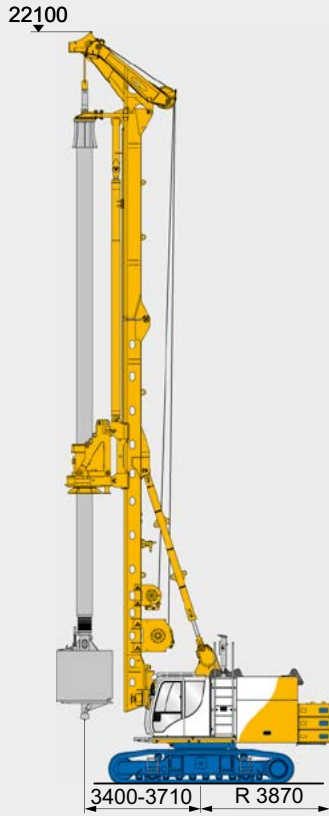
Rig configurations

	Standard	Upgrade 1	Upgrade 2
Drilling axis	1,150 mm	1,150 mm	1,350 mm
Counterweight	7.5 t	12.5 t	14.9 t
Under carriage	UW 65	UW 65	UW 80
Overall height	22.1 m	25.1 m	25.1 m
	Basic model for all-round use	for fluid-supported deep Kelly drilling	for cased Kelly drilling (also with casing oscillator)

Data shown are valid for minimum horizontal mast reach and using BAUER attachment. For more information, please contact the BAUER Sales Department. Other configurations possible on request.

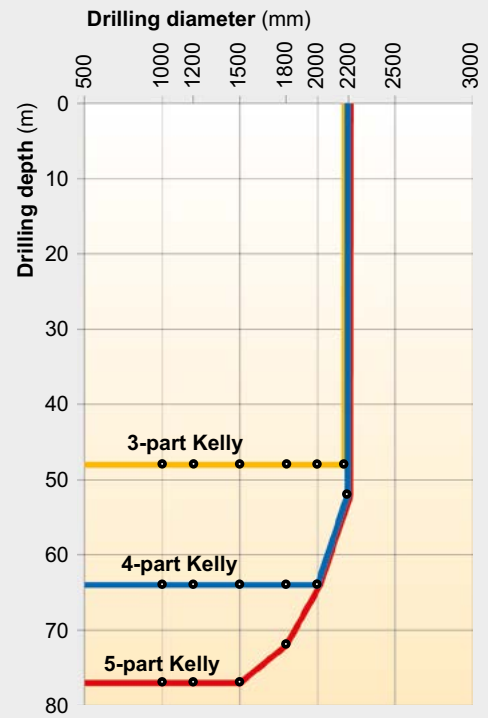
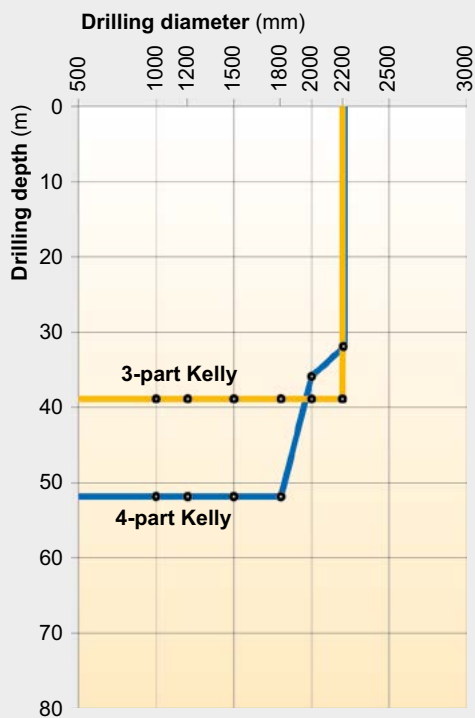
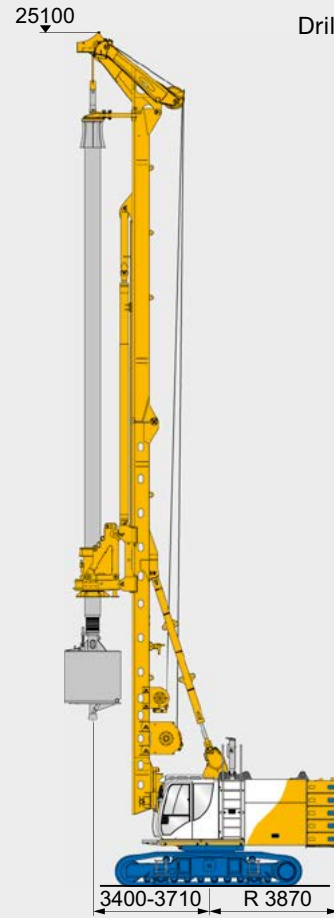
Standard configuration

Drill axis 1,150 mm



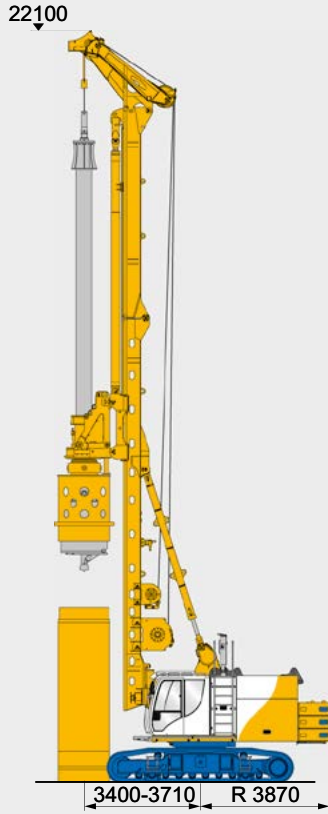
Upgrade 1

Drill axis 1,150 mm



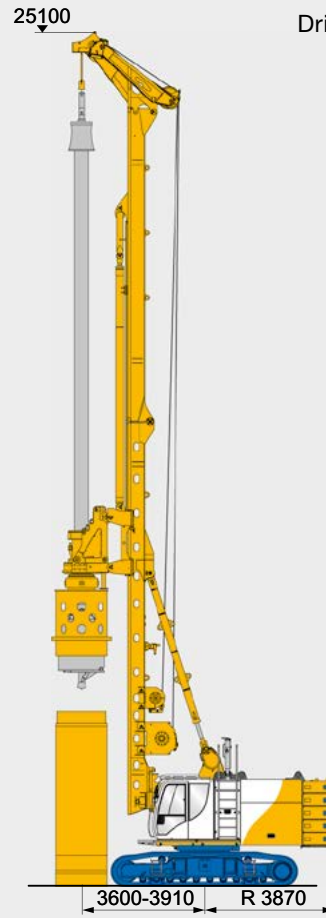
Standard configuration with rotary drive KDK

Drill axis 1,150 mm

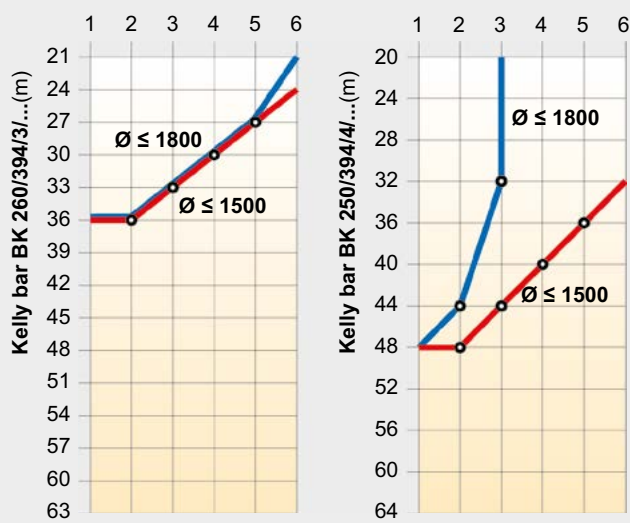


Upgrade 2 with rotary drive KDK

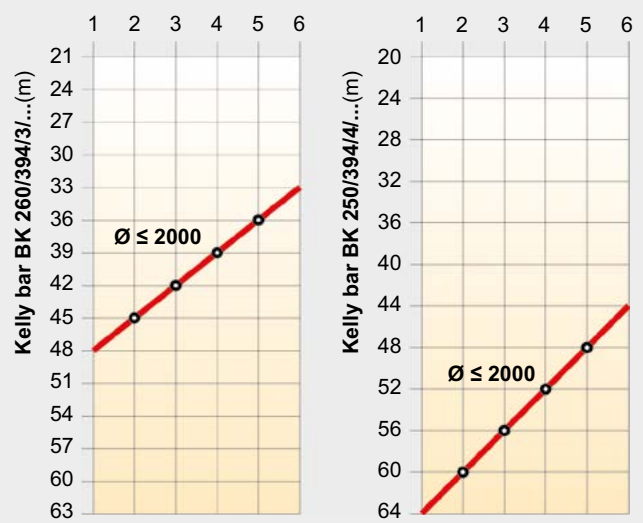
Drill axis 1,350 mm



Length of casing section (m)

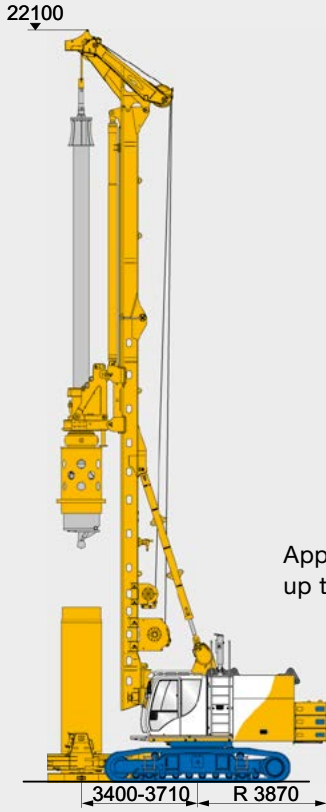


Length of casing section (m)



Standard configuration with casing oscillator

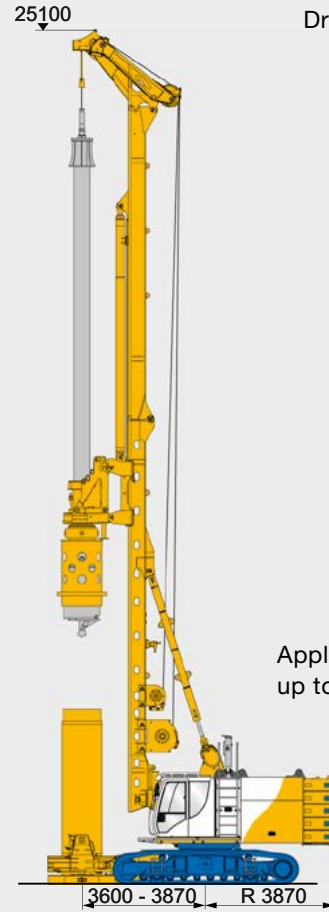
Drill axis 1,150 mm



Applicability:
up to BV 1300 L-03

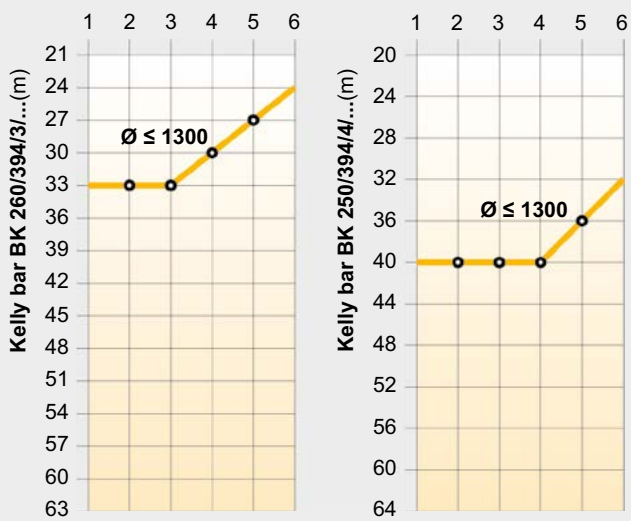
Upgrade 2 with casing oscillator

Drill axis 1,350 mm

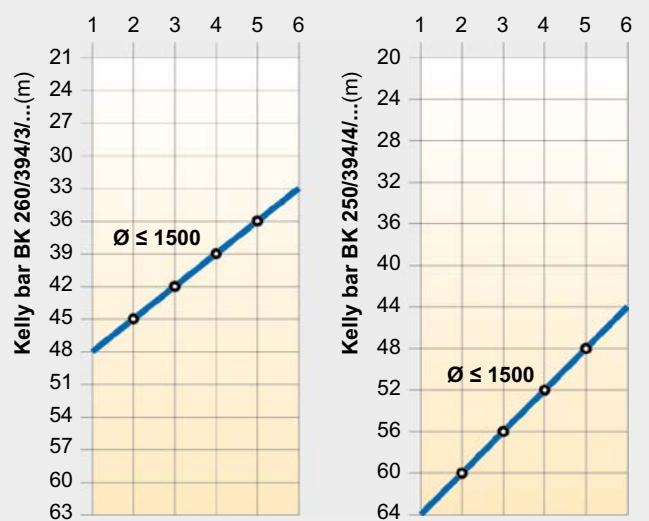


Applicability:
up to BV 1500 HD-07

Length of casing section (m)



Length of casing section (m)

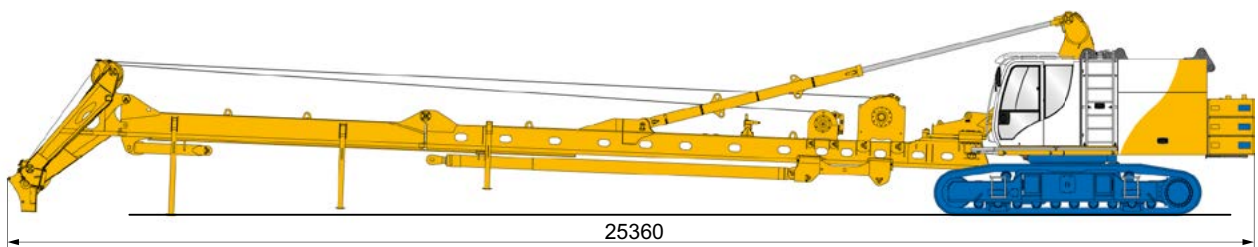




Rigging position for connecting of hydraulic hoses

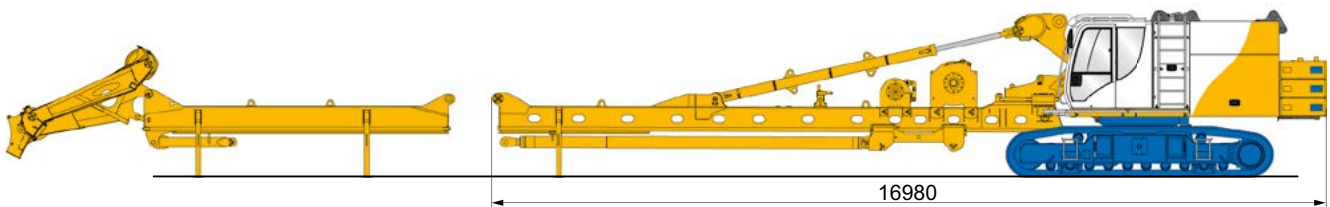
Health and safety features

- All hydraulic hoses of the KDK can be attached from ground level
- No overflow of hydraulic oil
- Applicable with all thrust rods



Transport weight (without upper mast section)

G = 59.5 t



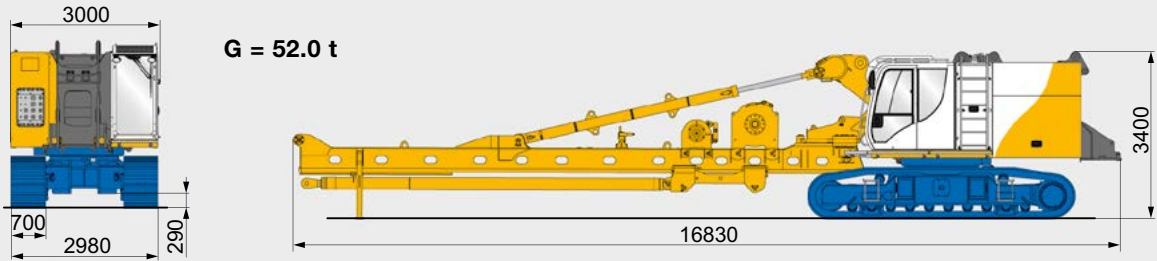
Safe and simple disassembly of inverted crowd cylinder system

- Easy disassembly by removing one pin only
- No disconnection of hydraulic lines
- No hydraulic line in upper mast section
- Hydraulic hoses remain connected (minimized risk of leakages developing at couplings)

G = weight
B = width

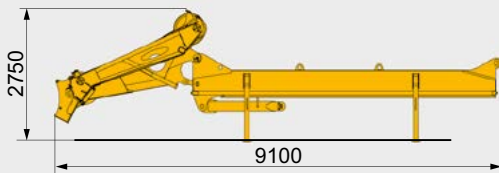
Weights shown are approximate values;
optional equipment may change the overall
weight and dimensions.

Base carrier with lower mast section



Upper mast section 6 m

G = 3.0 t B = 1,560 mm

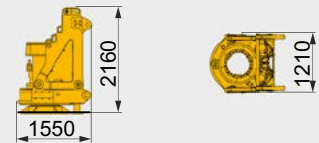


Mast head tilted



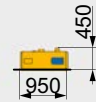
Rotary drive

G = 5.6 t



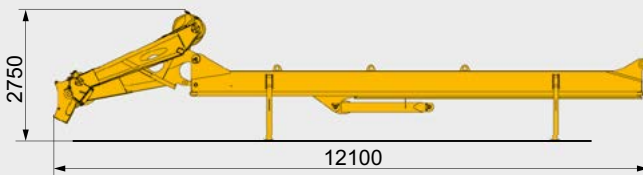
Counterweight

**G = 3 x 2.5 t
B = 3,000 mm**



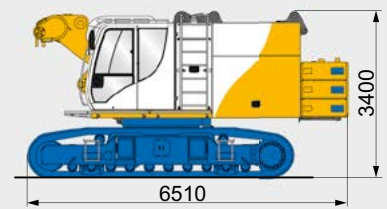
Upper mast section 9 m

**Optional
G = 3.5 t B = 2,400 mm**



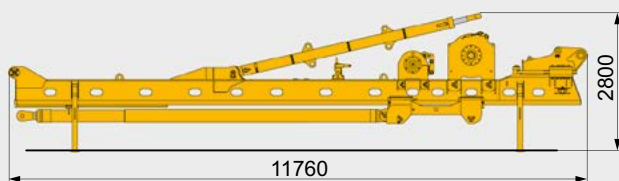
Base carrier with counterweight

G = 44.5 t



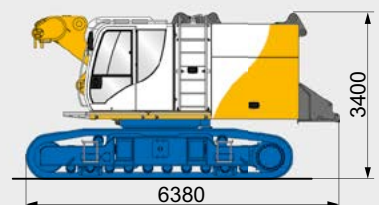
Lower mast section

**G = 15.0 t
B = 2,400 mm**



Base carrier without counterweight

G = 37.0 t





Global Network



Service



Equipment



Training

International Service Hotline

+800 1000 1200* (freecall)

+49 8252 97-2888

BMA-Service@bauer.de

* Where available



ValueLine



BAUER Maschinen GmbH
BAUER-Strasse 1
86529 Schrobenhausen
Germany
Tel.: +49 8252 97-0
bma@bauer.de
www.bauer.de

Design developments and process improvements may require the specification and materials to be updated and changed without prior notice or liability. Illustrations may include optional equipment and not show all possible configurations. These and the technical data are provided as indicative information only, with any errors and misprints reserved.