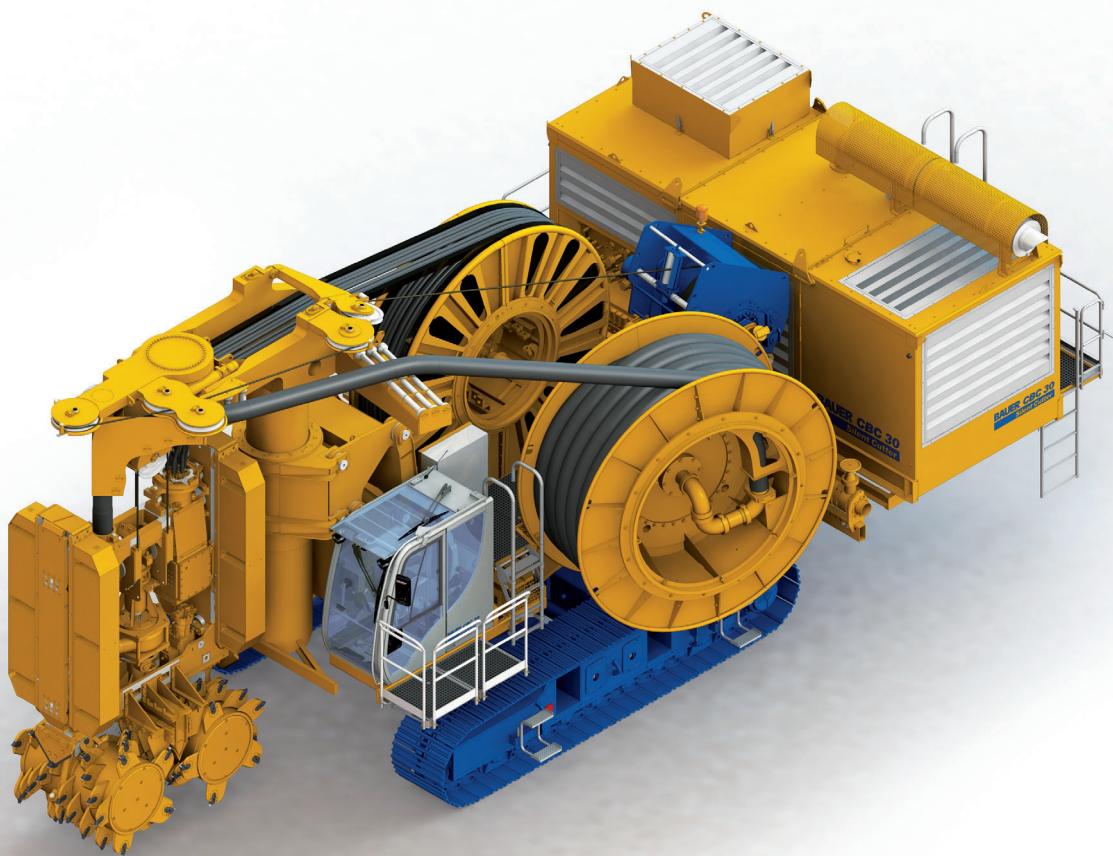


NEW
TUNNEL
SET-UP

CBC 30

Silent Cutter

BC System



CBC 30 Silent Cutter

The CBC 30 Silent Cutter is designed for special low headroom applications in the field of diaphragm wall cutters.

The MBC 30 cutter is mounted on the cutter base machine MT 130 designed exclusively for this type of application. In combination with the HD 1400 and the HDS hose reel system, it ensures a high degree of flexibility with regard to different set-up variants.

The set-up variants described below allow the operation in extremely confined construction site conditions and requirements. Each variant is also available in three different height configurations.

Despite the compact design, the device excels with its impressive performance. Another outstanding feature is the low noise emission of the newly developed hydraulic power pack, which is already used in other equipment of the CBC series.

Other special features of the CBC 30 are:

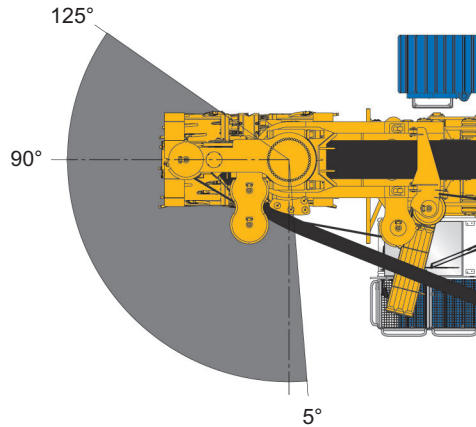
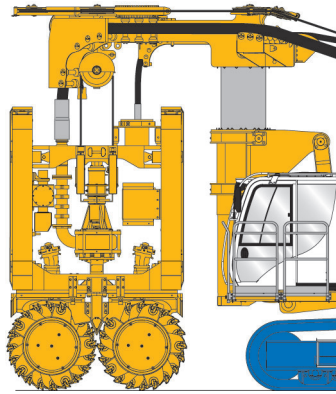
- Mast height and forward reach are adjustable
- Newly developed swivel drive for infinitely variable rotation of cutter
- Full rotation of upper carriage even with 1,500 mm cutter width
- Working with extended or retracted undercarriage is possible (set-up variant 4)
- Different hose configurations depending on height requirement:
 - Mud hose: 5" or 6"
 - Hydraulic hose bundle: NW 32 or NW 40 (from trench width 800 mm)
- Auxiliary power pack for travelling and loading in transport mode
- Transport dimensions reduced to a minimum due to modular construction principle

Technical specifications		
Base machine	MT 130	
Undercarriage	UW 95 DB	
Track width	2,570 mm – 3,670 mm	
Track shoes	800 mm (900 mm)	
Hydraulic power pack	HD 1400	
		Power output
Exhaust emission standards	- ORA	570 kW
	- Tier 4 final / Stage IV/V	563 kW
	- Electric drive	550 kW
HDS (Hose Drum System)	HDS 60	HDS 80
Cutting depth	60 m	80 m
Max. retraction force	300 kN (440 kN)	300 kN (440kN)
Max. hook load	30 t	30 t
Trench cutter	MBC 30	
Trench length	2,800 mm	
Trench width	640 mm – 1,500 mm	
Torque	2 x 91 kNm (BCF 9)	
Mud pump	6"	
Flow rate	450 m ³ /h	
Steering flaps	6 No.	
Weight	20 - 30 t	
Auxiliary power pack (optional)	HD 155	

Technical Details

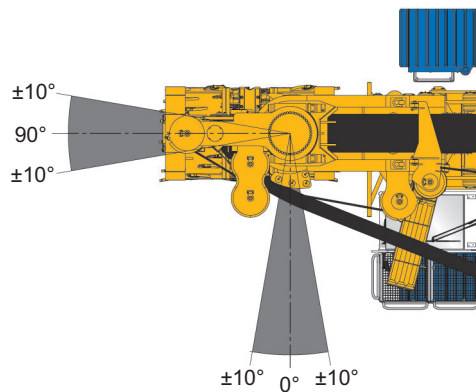
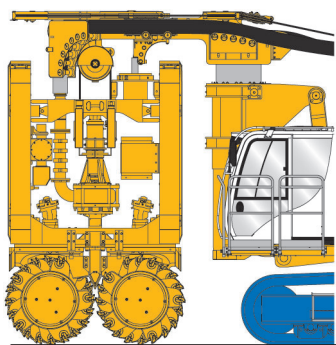
System Heights

Standard configuration



Headroom height	min. 6.0 m
Cutting width min.	800 mm
Rotation range	infinitely variable rotation -5° to +125°
Mud hose	6"
Hydraulic hose bundle	NW 40
Hose drum system	HDS 60 / HDS 80

Super low configurations

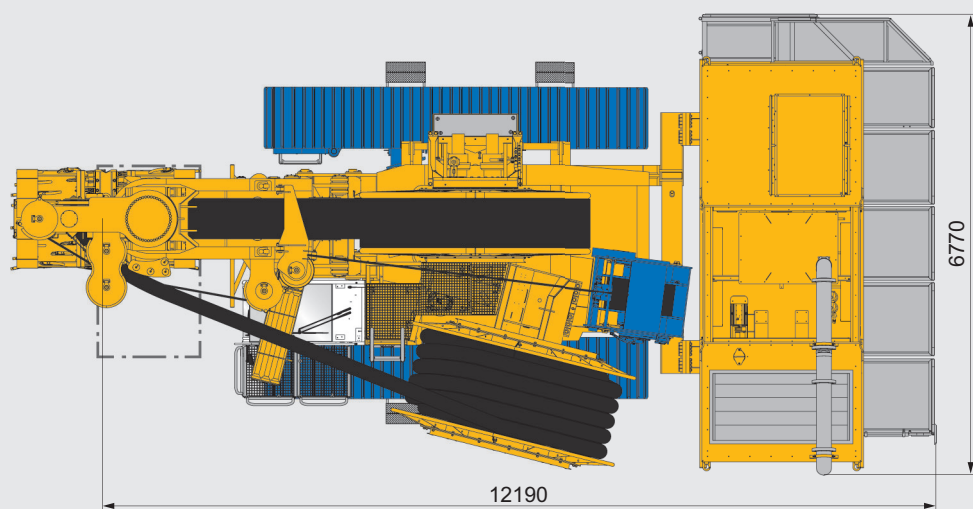
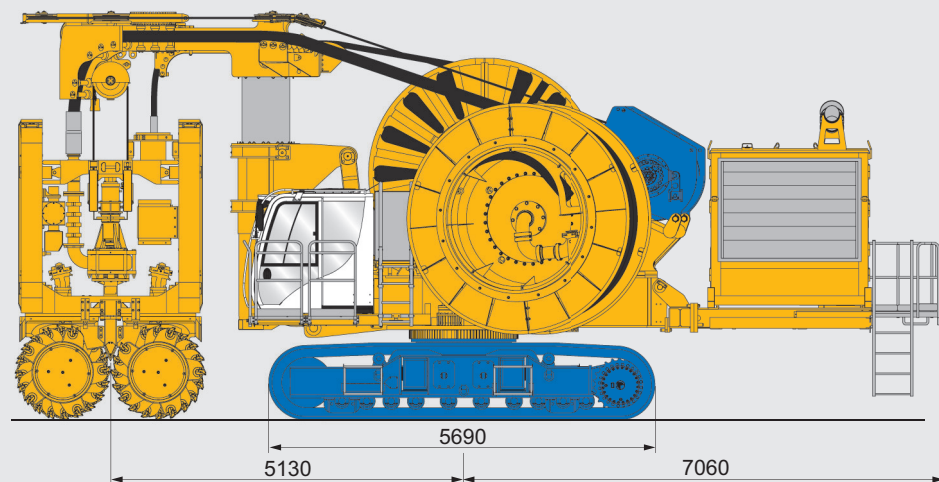


Headroom height min.	5.0 m	5.24 m
Cutting width min.	640 mm	
Rotation range	2 fixed cutter positions at right angle to upper carriage (0°) ± 10° parallel to upper carriage (90°) ± 10°	
Rotation option	manual connection with bulkhead plate	hydraulic swivel with ball valves
Mud hose	5"	6"
Hydraulic hose bundle	NW 32	
Hose drum system	HDS 60	

Set-up Variant 1 – Power Pack Mounted at Rear

In this standard set-up variant, the hydraulic power pack is mounted at the rear, e.g. for working underneath bridges.

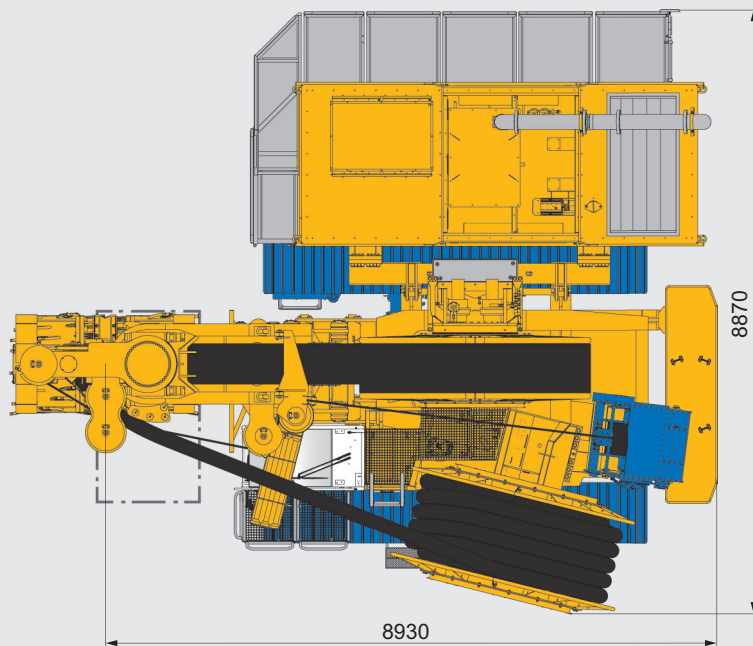
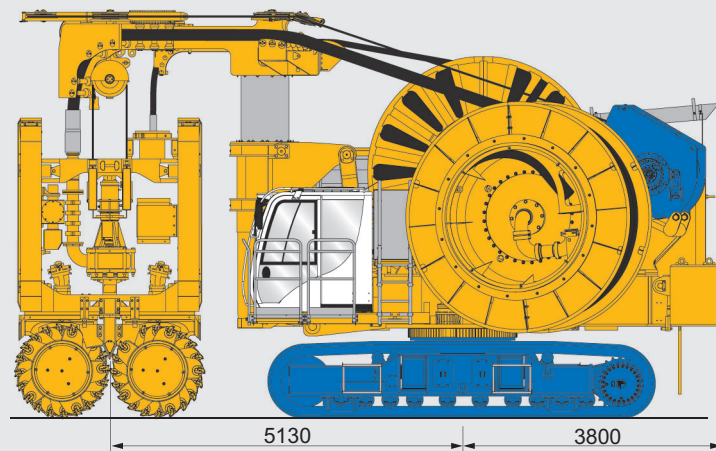
Set-up dimensions	
Length (cutter axis to walkway on power pack)	12.19 m
Overall width	6.77 m
Operating weight approx.	125.5 t



Set-up Variant 2 – Power Pack Mounted Sideways

In this set-up variant, the hydraulic power pack is mounted parallel to the uppercarriage to ensure a short length of the system.

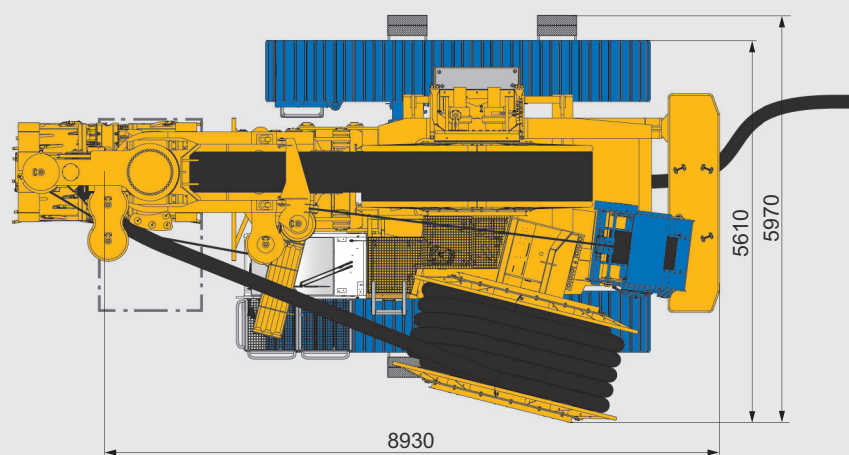
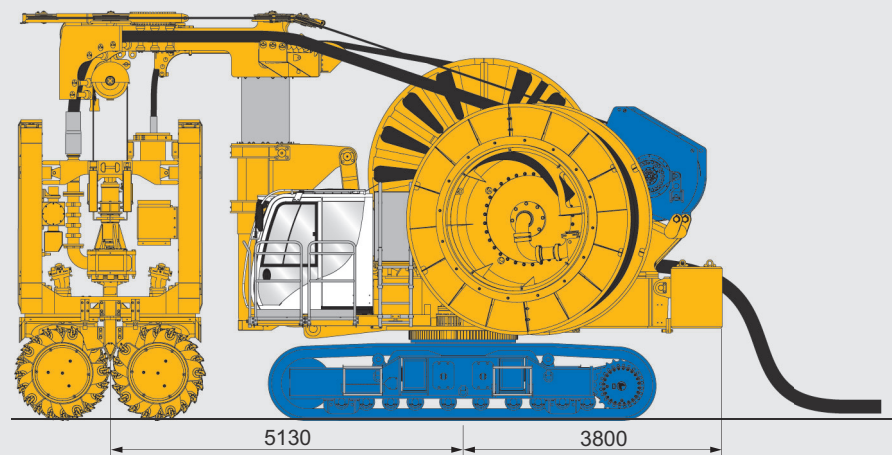
Set-up dimensions	
Length (cutter axis to counterweight)	8.93 m
Overall width	8.90 m
Operating weight approx.	142.5 t



Set-up Variant 3 – Free Standing Power Pack “Short Version”

In this short and flexible variant, the hydraulic power pack is standing free on the ground.

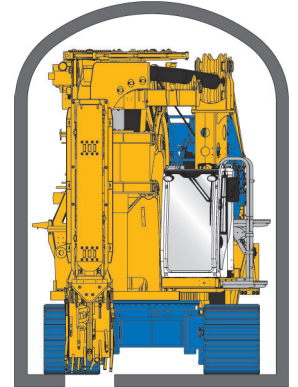
Set-up dimensions	
Length (cutter axis to counterweight)	8.93 m
Overall width	5.61 m
Total weight without hydraulic power pack approx.	124.0 t



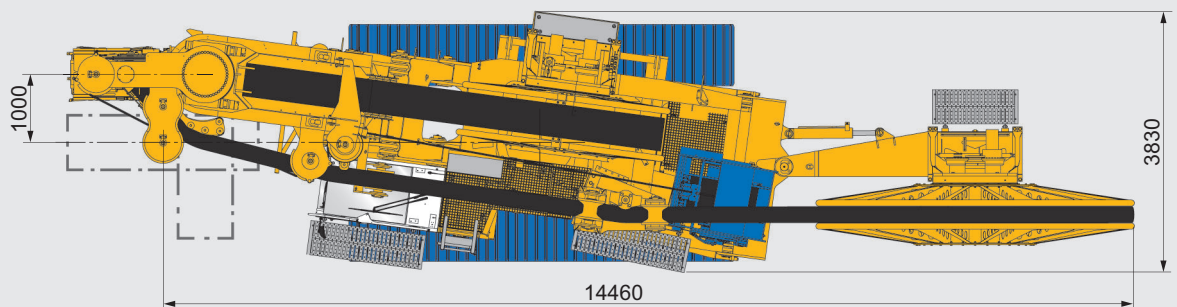
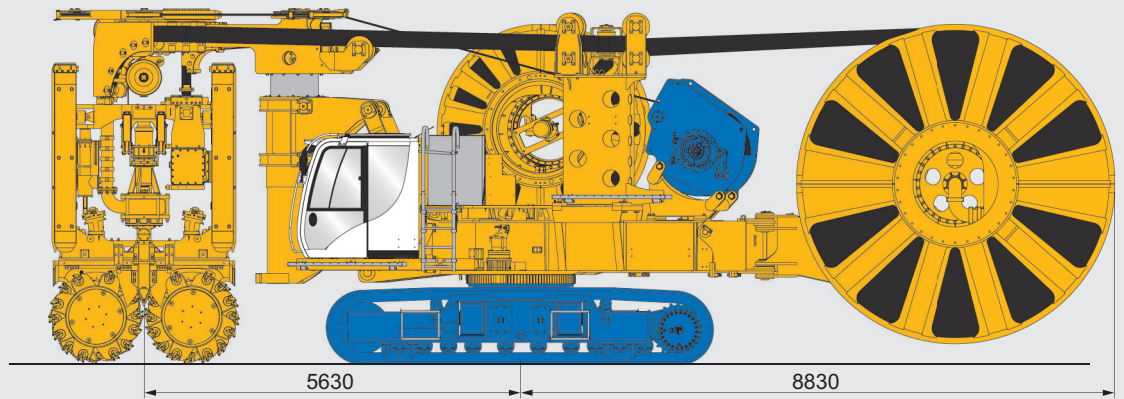
Depending on the length of the supply line from the power pack to the base machine, power losses may occur.

Set-up Variant 4 – “Slim Version“

This variant has been specially designed for confined site conditions as well as tunnelling applications. The hydraulic power pack is free standing on the ground, i.e. away from the cutter. Optionally and for tunnel applications an electrically-driven power pack is available as well. To drive around corners the mud hose drum is pivoted.



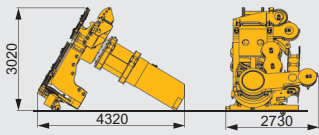
Set-up dimensions	
Length (cutter axis to hose drum)	14.46 m
Overall width	3.83 m
Total weight without hydraulic power pack approx.	120.0 t
Tunnel dimensions approx. H x W	5,800 x 4,000 mm



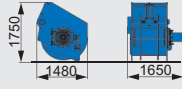
Depending on the length of the supply line from the power pack to the base machine, power losses may occur.

Transport Dimensions and Weights

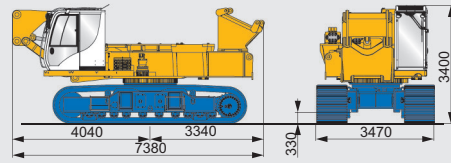
G = 14 t



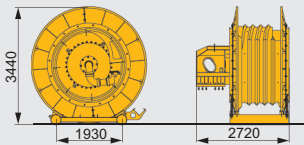
G = 2.5 t



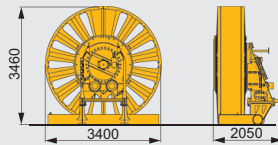
G = 38 t



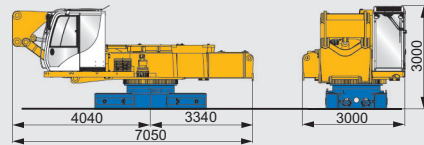
G = 7.5 t



G = 11 t



G = 20 t



BC System

International Service Hotline
+800 1000 1200* (freecall)
+49 8252 97-2888
BMA-Service@bauer.de

* Where available



BAUER Maschinen GmbH
BAUER-Strasse 1
86529 Schrobenhausen
Germany
Tel.: +49 8252 97-0
bma@bauer.de
www.bauer.de

Design developments and process improvements may require the specification and materials to be updated and changed without prior notice or liability. Illustrations may include optional equipment and not show all possible configurations. These and the technical data are provided as indicative information only, with any errors and misprints reserved.